

MP2AR Remote Thermocouple Gauge

Range: 1 – 20,000 Microns

- **PERFORMANCE** – Provides repeatable vacuum measurement
- **DESIGN** – Rugged self-contained system will provide reliable and long lasting operation in the most demanding of industrial applications
- **EFFICIENCY** – Easy to replace sensors with zero adjustment
- **Economy** – Cost effective unit for fundamental applications



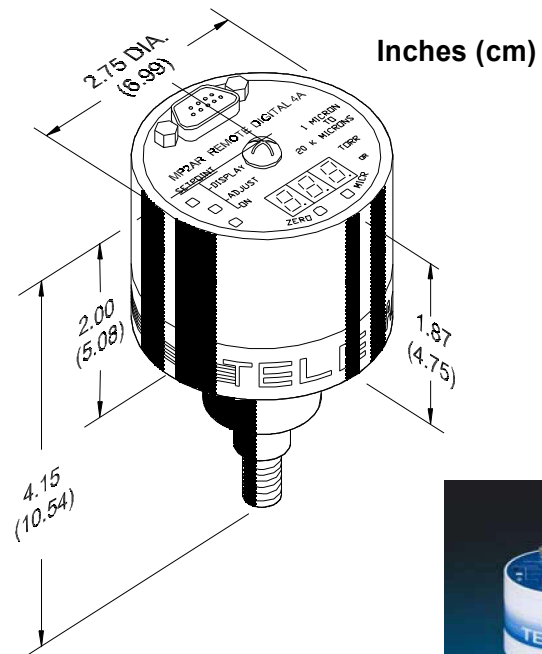
Description

The MP2AR series Remote Thermocouple Gauges are compact, durable, cost advantageous and repeatable vacuum measuring systems. The rugged 2A Thermocouple sensor design withstands harsh operating environments and the MP2AR's compact design will fit in almost any space area and can be mounted in any position. The self-contained electronics allows you to measure vacuum without using traditional large panel-mount instrumentation systems, clearly a more economical solution. The linear 0-10V output signal can be used for remote displaying and controlling of your vacuum measurement system. The easily adjustable setpoint feature uses a Form C relay contact allowing you to control other functions of your process.

Applications:

Cryogenics	Heat Treatment	Coating Process
Pharmaceutical Products		Electron Beam Welders
Petrochemical		Textile

Dimensions



MP2AR Remote Thermocouple Gauge

Ordering Information

Specifications

MP2AR Analog output with LED Display
 Display range: 1×10^{-3} to 20 Torr
 1 relay contact,

Part Number
 2 - 7910 - X YY

X 0 -10 V Output

1	Linear :	0 to 1000 microns
		10 volts = 1,000 microns
		0 volts = 0 microns
	Includes Non-Linear Full Scale	
		0.88 volts = 20,000 microns
		10 volts = 0 microns

YY Vacuum Fittings

10	1/8" NPT Nickel Plate Brass
Following are Stainless Steel Connections	
01	1/8" NPT
11	1/2" Port Diameter
30	NW16 KF Flange
31	NW25 KF Flange
32	NW40 KF Flange
40	8 VCO male type
41	8 VCO female type
42	8 VCR male type
43	8 VCR female type
50	1.33" Conflat Flange
52	2.75" Conflat Flange

Sensor Only Replacements

	Part Number
2A Sensor w/ 1/8" NPT, Ni Brass	2-2100-10
2A Sensor w/ 1/8" NPT, Stainless	2-2126-001
2A Sensor w/ NW 16, Stainless	2-2126-030

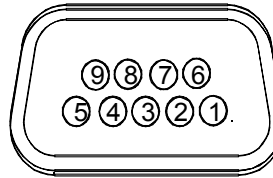
others available upon request, contact factory

Cables

10 ft. 9 pin to Strip & Tin Leads	2-9852-010
20 ft. 9 pin to Strip & Tin Leads	2-9852-020
35 ft. 9 pin to Strip & Tin Leads	2-9852-035
50 ft. 9 pin to Strip & Tin Leads	2-9852-050

Range	1 to 20,000 microns
Accuracy	+/- 1 micron 0-10 microns +/- 10% of reading 10 to 100 microns +/- 20% of reading 100 to 1000 microns
Mounting Orientation	None
Input Voltage/Power	Required 24V DC @ 100 mA
Setpoint Relay	Form C Contact 24V .5 A rating
Operating Temperature	+ 15 to +50 C
Calibration Medium	
Sensor Material	Dry Air or Nitrogen
Overpressure Tolerance	Stainless Steel or Nickel Plated Brass 150 PSI

Electrical Connections



1. Relay Normally open
2. Relay normally closed
3. +24 Volt power
4. Power common
5. Linear signal output
6. Relay common contact
7. Non-linear signal output
8. Signal return
9. Set point output

Output Graph

2A (linear)

