

Compact 2A Thermocouple Vacuum Controller

Part Number: 2-3014-042

Operating Specifications	
Operating Range	1*10 ⁻³ to 20 Torr
Communications	None
Analog Output	0 to 10 V DC
Analog Output Resolution	12 bits
Programmable Set Points	None
Supply Voltage	115 V AC, 50-60Hz (230 V Optional)
Maximum Power	5 W
Calibration Medium	Dry air or nitrogen
Overpressure	Sensor-dependent
Operating Temperature	0 °C to 50 °C
Storage Temperature	-20 °C to 70 °C
Accuracy	
1 to 10 mTorr	±1 mTorr
10 to 100 mTorr	±10% of reading
100 mTorr to 1 Torr	±20% of reading
1 Torr to 20 Torr	Indication only

Ordering Information	
Compact 2A Thermocouple Vacuum Controller	2-3014-042

Sensors	
Televac 2A 1/8" NPT Nickel-Plated Brass	2-2100-10
Televac 2A 1/8" NPT Stainless Steel	2-2126-001
Televac 2A NW16 Nickel-Plated Brass	2-2100-016
Televac 2A NW16 Stainless Steel	2-2126-030
Televac 2A NW25 Nickel-Plated Brass	2-2100-025
Televac 2A NW25 Stainless Steel	2-2126-031
Televac 2A 8-VCO Male Stainless Steel	2-2126-040
Televac 2A 8-VCO Female Stainless Steel	2-2126-041
Televac 2A 8-VCR Male Stainless Steel	2-2126-042
Televac 2A 8-VCR Female Stainless Steel	2-2126-043
Televac 2A 4-VCR Male Stainless Steel	2-2126-044
Televac 2A 4-VCR Female Stainless Steel	2-2126-045
Televac 2A 1.33" CF Stainless Steel	2-2126-050
Televac 2A 2.75" CF Stainless Steel	2-2126-052
Televac 2A VacuMini 1/8" NPT Stainless Steel	2-2100-102
Televac 2A NASA Mini 1/8" NPT Stainless Steel	2-2100-31

Cables		
Length	2A Cable	2A Mini Cable
10 ft (3 m)	2-9800-077	2-9800-096
20 ft (6 m)	2-9800-078	
35 ft (11 m)	2-9800-079	
50 ft (15 m)	2-9800-080	

[Click to Buy Online from Televac® Now!](#)

Description

The Televac Compact 2A thermocouple vacuum controller can be connected to (1) Televac 2A passive thermocouple vacuum gauge. It includes a 0 to 10 V DC analog output for the connected vacuum gauge for simple integration with a PC or PLC, and can act as a vacuum pressure controller for process control in your vacuum system.



PN 2-3014-042 Front



PN 2-3014-042 Back

Physical Characteristics

Weight without Sensor	1.4 kg (3 lbs)
Front Panel Dimensions	
Width	5.100"
Height	3.980"

See dimensional drawing for additional dimensions

Benefits

- Competitively priced
- Very compact design
- Analog 0 to 10 V DC output
- Excellent customer support

Ratings and Compliance

- RoHS compliant



Compact 2A Thermocouple Vacuum Controller

Part Number: 2-3014-042

Additional Documentation

- Televac® Tolerances
- AN 3010 - Torr Scientific/Torr Decimal/mTorr/Micron Conversions
- AN 3015 - Televac® Recommended Practices for Vacuum Calibration
- AN 3020 - Vacuum Terminology Reference

Related Products

Description	Part Number
MX2A Thermocouple Active Gauge	2-8910-1XX
MX4A Convection Active Gauge	2-8930-1XX
MX7B Cold Cathode Active Gauge	2-8940-XXX
MX200 Vacuum Controller RS-232/RS-485/USB	2-7900-034
MX200 Vacuum Controller EthernetIP/USB	2-7900-037
B2A Portable Controller	2-3001-10X
MV2A Controller	2-7900-07X
(Legacy) MM200 Vacuum Controller	2-7900-20

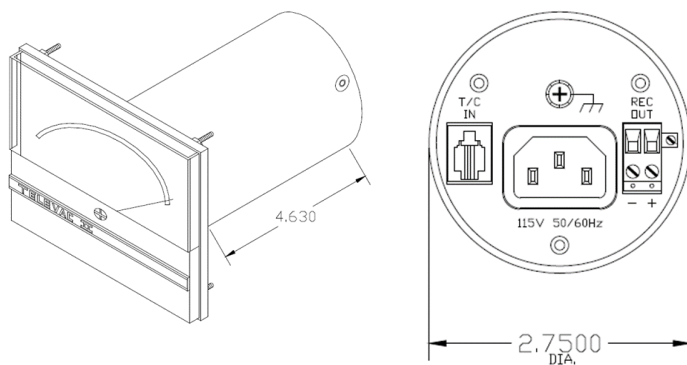


MX4A MX7B MX200 EthernetIP/USB

Visit our website at www.frederickscompany.com for a full list of compatible instruments.

Click to Buy Online from Televac® Now!

Dimensional Drawing



Materials Exposed to Vacuum

Please refer to the appropriate sensor data sheet for materials exposed to vacuum.

Company Information

Vacuum measurement tools built for the toughest jobs - Televac®'s world-class vacuum sensors, gauges, and control instrumentation are engineered for the most demanding applications and environments. Our Televac® and ETI vacuum brands feature cold-cathode technology, thermocouple and convection gauges, and precision-manufactured hot ionization gauges. Dedicated solely to vacuum gauging and calibration services, we provide industrial heating, national laboratories, cryogenics, and industrial gas applications, among many others, with fast lead times and industry-leading performance. Covering the entire practical vacuum range, our products deliver rapid response vacuum readings and superior sensitivity.

A partnership that prioritizes uptime, lead time, and service - Televac® guarantees customer satisfaction and our 'not too big, not too small' operation is what enables us to offer a true partnership experience. Our dedicated representatives and engineers offer exceptionally responsive service and some of the fastest lead times in the industry, knowing that uptime is the key to your success. With any-time-access to our leadership team and solutions that enhance your products, you will feel the Fredericks difference.

Contact Us

Televac® - The Fredericks Company
 2400 Philmont Avenue
 Huntingdon Valley, PA 19006
 tel: +1 215 947 2500
 fax: +1 215 947 7464
 email: sales@frederickscompany.com
 web: www.frederickscompany.com

Disclaimer: Specifications subject to change without notice. The Fredericks Company assumes no responsibility for inaccuracies in product specifications or any liability arising from product use.
 © 2020 The Fredericks Company