

1E Piezo Diaphragm Sensor

Part Number: 2-2106-001, 2-2107-0XX

Operating Specifications

Operating Range	1 to 1000 Torr
Analog Output	Controller-dependent
Mounting Orientation	Any
Calibration Medium	Dry air or nitrogen
Overpressure	30 PSI
Analog Output Resolution	Controller-dependent
Operating Temperature	0 °C to 50 °C
Storage Temperature	-40 °C to 85 °C
Maximum Bakeout Temperature	120° C
Response Time	≤ 100 ms

Accuracy	
1 to 10 Torr	±1 Torr
10 to 100 Torr	±10% of reading
100 Torr to 1000 Torr	±5% of reading
Analog Output	±10 mV

Physical Characteristics

Electrical Connections	Octal male
Weight	126 g (0.28 lbs) (NW25)
Dimensions	See dimensional drawings

Materials Exposed to Vacuum

P/N: 2-2106-001	P/N: 2-2107-0XX
Gold	Gold
Solder	Solder
Glass	Glass
Alloy 52	Alloy 52
Nickel	Nickel
Silicon	Silicon
Pyrex	Pyrex
RTV	RTV
Aluminum	Aluminum
	304 Stainless Steel

Ratings and Compliance

- RoHS compliant

Description

The 1E Piezo diaphragm sensor couple sensor has a measurement range from 1 up to 1000 Torr. It directly measures absolute pressure by detecting the deflection of a diaphragm. This sensor is available in Brass and Stainless Steel with a variety of fittings to fit your system's requirement.

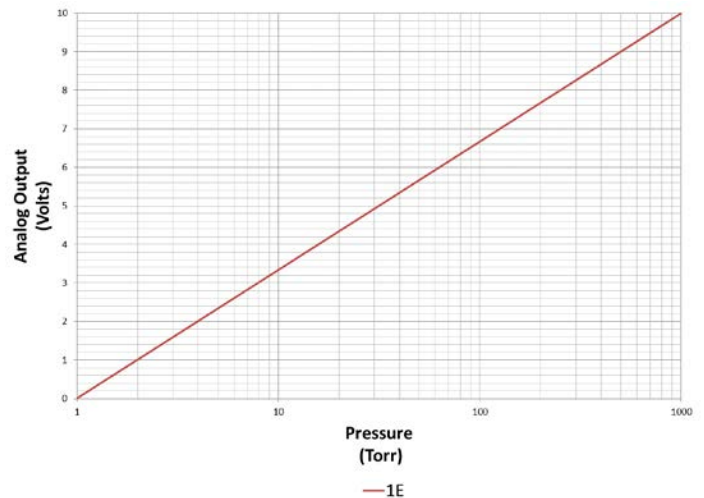
The 1E can be operated by the Televac MM200 controller, see page 2 under Related Products for a full list of products including part numbers.



Benefits

- Gas independent measurement
- Compact, robust design
- Numerous fittings available
- Excellent resolution and repeatability
- Minimal sensor to sensor output variation
- Excellent customer support
- Designed and manufactured in the United States of America

Analog Output Behavior (MX200)





1E Piezo Diaphragm Sensor

Part Number: 2-2106-001, 2-2107-0XX

Ordering Information

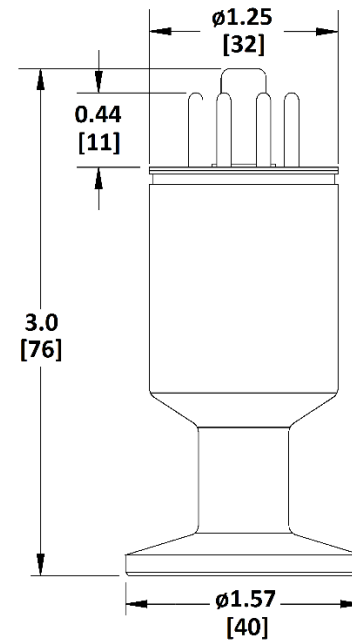
1E Sensor 1/8" NPT Nickel-plated Brass	2-2106-001
1E Sensor Stainless Steel	2-2107-0XX
Vacuum Fittings	XX
NW16 (DN16 ISO-KF)	30
NW25 (DN25 ISO-KF)	31
NW40 (DN25 ISO-KF)	32
2.75" CF (DN40 ISO-CF-F)	52

Related Products

Description	Part Number
MX200 Vacuum Controller	2-7900-034
MM200 Vacuum Controller	2-7900-20

Visit our website at www.frederickscompany.com for a full list of compatible instruments.

Dimensional Drawings



*NW25 SS Fitting

Contact Us

Televac
 The Fredericks Company
 2400 Philmont Avenue
 Huntingdon Valley, PA 19006
 tel: +1 215 947 2500
 fax: +1 215 947 7464
 email: sales@frederickscompany.com
 web: www.frederickscompany.com

Disclaimer: Specifications subject to change without notice. The Fredericks Company assumes no responsibility for inaccuracies in product specifications or any liability arising from product use.
 © 2020 The Fredericks Company